

# WPS2900 Series



## Mass Notification Warning Product

### **ALERT and INFORM**

*The basic purpose of a Mass Notification Product is the ability to **ALERT** through a tone and **INFORM** through voice. If your siren system is producing only a tone, then it's only doing half it's job!*

The most effective way to warn the public is to issue a tone warning and follow it with a clear, deliberate and powerful voice message. This two step approach, *ALERT* and *INFORM*, will eliminate confusion, restore order and most importantly, save lives.

Our WPS2900 Series accomplishes this in two ways. One is to *ALERT*, the other is to *INFORM* through omnidirectional voice and tone warning.

The WPS2900 Series delivers voice warning and broadcasting of unequalled clarity at uniform power levels (+/- 1dB) throughout 360°.

**⚠ WARNING:** These products may contain chemicals known to the State of California to cause cancer and birth defects or other reproductive harm. For more information, visit [whelen.com/regulatory](http://whelen.com/regulatory).



WPS2905



TYPE III  
ELECTRONIC  
CABINET

TYPE II  
ELECTRONIC  
CABINET

Ten models serve a wide variety of applications as shown here in ratio to a person's size.



# WPS2900 Series



## Public and Industrial Warning for Every Application

### WHELEN EZ-PULL™ SPEAKER DRIVER



Notice in these photos how easy it is to remove a 2900 Series speaker driver. Each speaker cell uses one **EZ-PULL** 400 watt driver, eliminating distortion and power loss that occurs from mixing the outputs of multiple speaker drivers in a cell - as found in competitive products. The EZ-PULL driver is Whelen Engineering's latest innovation. A handled plate connected to our 400 watt driver is an industry first.

**Serviceability has never been easier!**



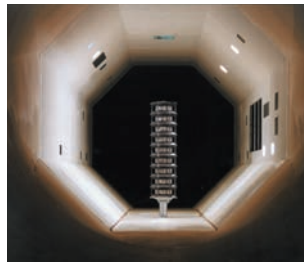
### WHELEN'S 2900 SERIES



Whelen 400 Watt Speaker Driver shown with Standard 100 Watt Speaker Driver.



Whelen WPS2910 installed on site in Columbus, Georgia.



Whelen WPS2900 Series products are wind-tunnel tested to insure performance and reliability in the most trying conditions.



Whelen 2900 Type III Cabinet with "SLIDEOUT" battery trays.

Type II Electronics Assembly detail.



### PRODUCT FEATURES

- Choice of one to ten omni-directional speaker cells assembled in a vertical column
- Ten models, 400 Watts to 4,000 Watts
- All WPS2900 speaker cells include our high efficiency 400 watt **EZ-PULL** speaker drivers
- 50' (15.24m) cable included
- Pole top mounting bracket included
- Two or three compartment natural finish aluminum cabinet or stainless steel
- Public address capability, live voice and pre-recorded messages
- Battery powered, minimum of 30 minutes of full power output with batteries of our recommendation
- AC temperature compensated "tri-mode" 10 amp battery charger
- Local controls or remote controls
- Independent power amplifiers, one per 400 watt speaker driver
- Electronic controller
- Tone generator timer
- Local control push buttons
- **SLIDEOUT™** battery tray
- **RDVM1G** - Digital voice 1-28 message capability
- Battery switch

### PRODUCT OPTIONS

- **L31H\*F4** - Top Cell of 2900 Series high dome warning beacon, 24 VDC
- **VALERT\*** - VisuAlert™ omni-directional visual LED warning lighting
- **SBC280** - Solar power <sup>1</sup>
- Alternate tone set
- **WPSBATT** - Delco S2000 or Interstate Workaholic 31-MHD batteries
- **WPSNCMIC** - Noise cancelling microphone



L31LRF4



VALERTR Visual Warning

SBC280 Solar Power Option

#### NOTES:

- 1 Solar power option includes Two - 80 watt panels, mounting bracket and regulator
- \* Specify color **A**=Amber, **B**=Blue, **R**=Red, **C**=White/Clear  
**BLUE** type in the "callout" indicates a Whelen model number

### SIX STANDARD WARNING TONES

STONE	STONE SYMBOL	FREQUENCY	SWEEP RATE
WAIL		410 - 675	4 sec/1 sec
ALERT		560	Steady
HI/LO		465/650	.8 sec/.8 sec
ATTACK		410 - 490	1 sec/1 sec
AIR HORN		465 - 650	Modulated/1.6 sec
WHOOOP		300 - 465	3

**WARNING:** These products may contain chemicals known to the State of California to cause cancer and birth defects or other reproductive harm. For more information, visit [whelen.com/regulatory](http://whelen.com/regulatory).



## ACTIVATION CONTROLS

Our VHF High and UHF activation control packages include the following:

- Radio
- Radio interface
- Tone or digital squelch
- 3-5dB Gain omni-directional antenna with bracket
- 35' (10.67m) of RG58 antenna cable
- Polyphaser
- SI TEST®
- Low battery alarm (two-way only)

Other features are dependant upon one or two-way controls. Whelen equipment can be interfaced with many different types of two-way radio communications products and systems from ACE, Motorola's MOSCAD, FSK, including 800Mhz trunking, Narrow-Band and VHF. The following is available as standard options. Contact factory for special applications.

### ONE-WAY CONTROLS

- **AUXIN** - Auxiliary board for contact closure activation
- **D2030LL** - 10 digit DTMF landline activation
- **D2030NV** - 10 digit DTMF VHF High-Band Narrow-Band / 138-174 Mhz
- **D2030NU** - 10 digit DTMF UHF Narrow-Band / 450-470 Mhz
- **WPSTTU** - Two-tone sequential option

### TWO-WAY CONTROLS

- **AUXGS** - Two-way contact closure activation and status board
- **C2030LL** - Two-way landline activation
- **C2030NV** - 10 Digit DTMF VHF High-Band Narrow-Band / 138-174 Mhz
- **C2030NU** - 10 digit DTMF UHF Narrow-Band 450-470 Mhz

### OPTIONS:

- **STATUS** - Cabinet window LED Status Indicator
- **PGINT** - Paging interface to interface Whelen audio, voice and tones with existing paging systems
- **INTRUWPS** - Intrusion alarm (available with two-way only)

## LIVE PUBLIC ADDRESS AND PRE-RECORDED MESSAGES

**ALERT and INFORM!** This two-step procedure is accomplished through live public address and pre-recorded voice messages. Notify YOUR community, base or campus with messages specific to YOUR needs.

- Live public address standard
- From 1 to 28 verbal messages and musical renditions of varying lengths may be programmed into all modules
- Variable length messaging standard

### SI TEST

Only Whelen's diagnostic silent test, SI TEST, fully exercises the system without disturbing the public. Diagnostic SI TEST information includes the following:

- AC power On/Off
- DC power at operational levels
- Partial speaker driver / power amplifier operation
- Full speaker driver / power amplifier operation

Whelen products are pre-assembled, pre-wired and tested at our facility to ensure product quality and reliability!



Testing Station



2900 Series Speakers Assembly



Type II Cabinet Assembly



Type III Cabinet Assembly



Repair Facility



# WPS2900 Series



## Specifications

### PRODUCT SUPPORT

At Whelen Engineering, we not only design and manufacture the best warning products available, we stand behind every product we make. For a copy of our warranty, write to us at our main office in Chester, Connecticut.

If you're interested in the most reliable, the most up-to-date warning products -- and the service that comes with it -- give us a call. Find out why Whelen Engineering is "The First Name In Mass Notification".

A product specification sheet with installation details is available for each WPS2900 Series Mass Notification Product.

### MASS NOTIFICATION PRODUCTS

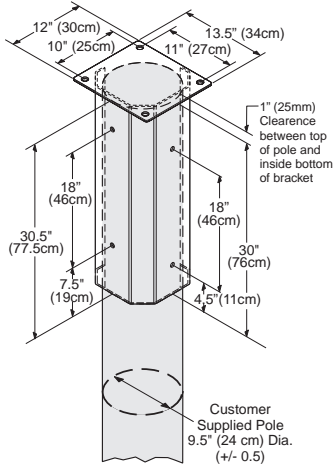
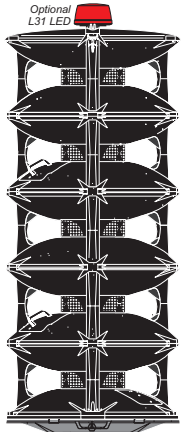
**Whelen Engineering Company, Inc.**  
 51 Winthrop Road  
 Chester, Connecticut 06412-0684  
 860-526-9504  
 800-637-4736  
[www.whelen.com](http://www.whelen.com)  
[iowsales@whelen.com](mailto:iowsales@whelen.com)

Whelen Engineering Company, Inc. reserves the right to upgrade its products with design improvements without notification.

© 2019 Whelen Engineering Company, Inc.  
 Printed in the U.S.A.  
 117901 - 09/27/19

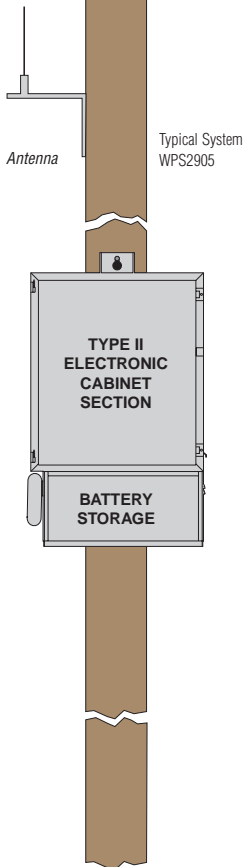


*"Our Mass Notification Products Speak for Themselves"™*



#### POLE TOP BRACKET

The pole top bracket for the WPS2900 Series is furnished in a natural finish, core-ten steel. The pole top bracket will accept a utility pole having up to a 10" top diameter.



### WPS2900 Series Specifications

MODEL	SYSTEM WATTAGE		HEIGHT Inches (CM)	WIDTH Inches (CM)	DEPTH Inches (CM)	SPEAKER ASSEMBLY WEIGHT lbs. (KG)	ELECTRONIC CABINET WEIGHT lbs. (KG) <sup>4</sup>	ELECTRONIC CABINET TYPE
	VOICE AUDIO	TONE AUDIO						
WPS2901	400	500	18.8 (47.75)	33.4 (84.8)	-	119 (53.97)	132 (59.9) <sup>2</sup>	Type II
WPS2902	800	1000	31.2 (79.24)	33.4 (84.8)	-	168 (76.20)	139 (63.1) <sup>2</sup>	Type II
WPS2903	1200	1500	43.6 (110.74)	33.4 (84.8)	-	217 (98.42)	147 (66.7) <sup>2</sup>	Type II
WPS2904	1600	2000	56.0 (142.24)	33.4 (84.8)	-	266 (120.65)	154 (69.9) <sup>2</sup>	Type II
WPS2905	2000	2500	68.4 (173.73)	33.4 (84.8)	-	315 (142.88)	162 (73.4) <sup>2</sup>	Type II
WPS2906	2400	3000	80.8 (205.23)	33.4 (84.8)	-	388 (175.99)	171 (77.5) <sup>3</sup>	Type III
WPS2907	2800	3500	93.2 (236.72)	33.4 (84.8)	-	437 (198.22)	218 (98.9) <sup>3</sup>	Type III
WPS2908	3200	4000	105.6 (268.22)	33.4 (84.8)	-	487 (220.89)	225 (102.1) <sup>3</sup>	Type III
WPS2909	3600	4500	118.0 (299.72)	33.4 (84.8)	-	535 (242.67)	233 (105.7) <sup>3</sup>	Type III
WPS2910	4000	5000	130.4 (331.21)	33.4 (84.8)	-	584 (264.89)	240 (108.9) <sup>3</sup>	Type III
Electronics Cabinet Type II <sup>1</sup> (Aluminum) <sup>4</sup> (WPS2901 to 5)	-	-	60.50 (153.67)	33.20 (84.33)	12.0 (30.50)	-	-	-
Electronics Cabinet Type III <sup>1</sup> (Aluminum) <sup>5</sup> (WPS2906 to 10)	-	-	74.5 (189.23)	33.20 (84.33)	12.0 (30.50)	-	-	-
Pole Top Bracket	-	-	30.5 (77.47)	12.0 (30.50)	13.5 (34.30)	-	-	-

Equipment is configured for 120 VAC input power, other input voltages supplied upon request.

<sup>1</sup> A 6.00" wide mounting channel adds 3.50" in height and 2.00" in depth.

<sup>2</sup> Batteries for Type II Cabinet add 115 lbs. (52.16 kg) <sup>3</sup> Batteries for Type III Cabinet add 230 lbs. (104.32 kg) <sup>4</sup> Type II stainless cabinet option adds 58 lbs. (26.30 kg)

<sup>5</sup> Type III stainless cabinet option adds 80 lbs. (36.29 kg) Pallets, boxes and skids add weight. Check with Whelen if a freight quote is needed.

**WARNING:** These products may contain chemicals known to the State of California to cause cancer and birth defects or other reproductive harm. For more information, visit [whelen.com/regulatory](http://whelen.com/regulatory).