

WS400H SPEAKER



Economical Speaker for Mass Notification Applications

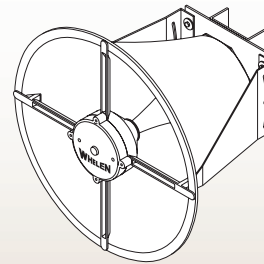
Whelen's unique WS400H Speaker is a single 400 watt speaker, the only one of its kind in the Mass Notification industry.

FEATURES

- 400 watt speaker driver
- Weather-proof, fiberglass speaker flare
- Powder painted, spun aluminum re-entrant horn section
- Corrosion-resistant, cast aluminum housing provides a protective, weather-proof enclosure for the driver and wiring terminals
- Two feet of 16AWG, 2/C cable exits through the bottom of the speaker for field wiring
- Heavy-duty, painted bracket allows installer to flush mount the speaker and angle it down approximately 15 degrees
- Optional pole mount bracket (WS400HPM) is available
- Cable is available - 14AWG for 0-100' runs, 12AWG for 100'-200' runs



WS400H
400 Watt Speaker



WS400H Speaker
with optional WS400HPM
pole mounting kit attached

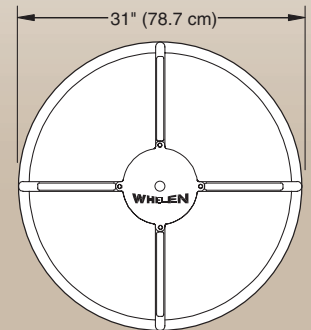
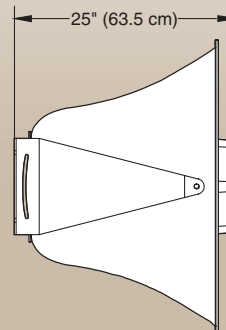
MASS NOTIFICATION PRODUCTS
 Whelen Engineering Company, Inc.
 51 Winthrop Road
 Chester, Connecticut 06412-0684
 860-526-9504
 800-637-4736
 www.whelen.com
 iowsales@whelen.com

Whelen Engineering Company, Inc.
 reserves the right to upgrade its products with
 design improvements without notification.
 © 2019 Whelen Engineering Company, Inc.
 Printed in the U.S.A.
 12171G - 09/27/19

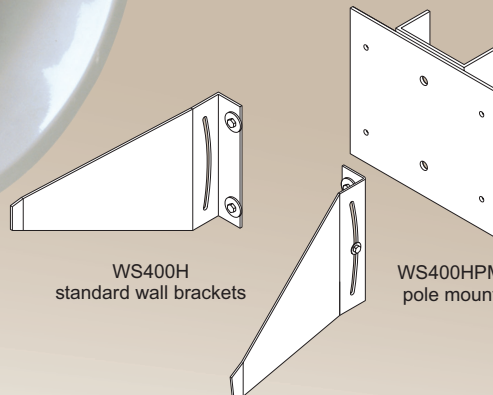


"Our Mass Notification Products
 Speak for Themselves™"

DIMENSIONS

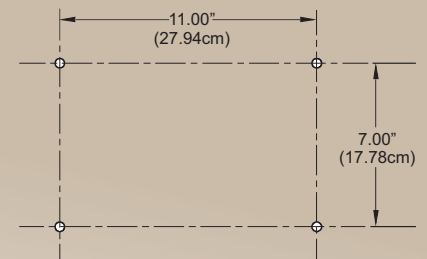


WS400H Speaker with standard
 wall mounting bracket



WS400H
 standard wall brackets

WS400HPM
 pole mount



Mounting pattern for standard
 WS400H Speaker wall mounting bracket
 use 3/8" diameter bolts

WARNING: This product may contain chemicals known to the State of California to cause cancer and birth defects or other reproductive harm. For more information, visit whelen.com/regulatory.

Acoustic Performance

Wattage: 400 watts
 Estimated 70dB Range: 2,400 ft / 732 m

Weather, terrain and other structures may impact the range. Each siren within the system may have a decreased or increased range depending on conditions beyond our control.